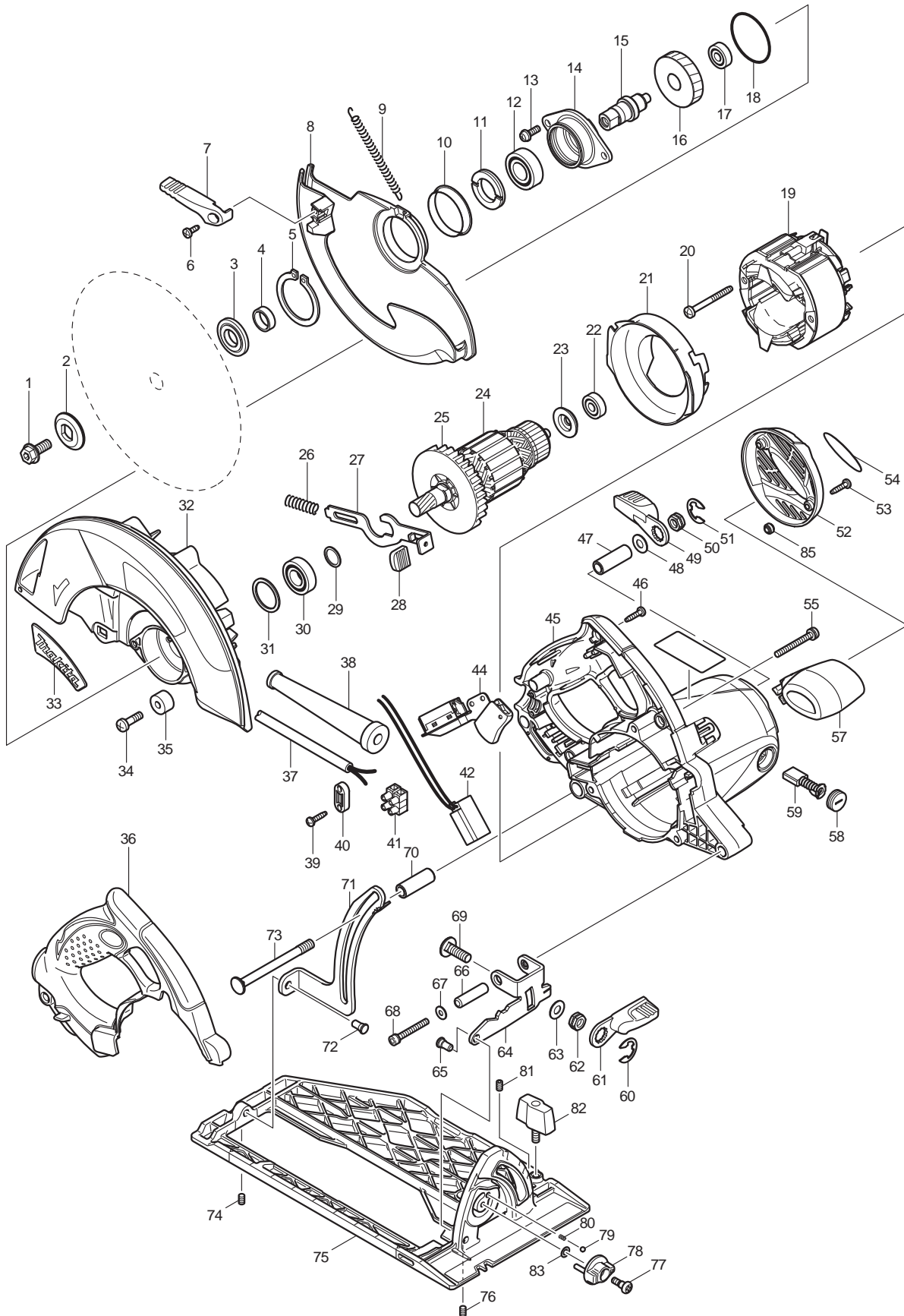




05 - 2010  
5008MGA  
8-1/4" CIRCULAR SAW W/BRAKE



Item No.	Type	Sub	Part No.	Part Description	Qty	Unit
1			266283-4	HEX. SOCKET HEX. BOLT M8X20	1	PC.
2			224409-4	OUTER FLANGE 35	1	PC.
3			224411-7	INNER FLANGE 35	1	PC.
4			257279-6	RING 17	1	PC.
5			961201-4	RETAINING RING S-42	1	PC.
6			266398-7	TAPPING SCREW BIND CT 4X12	1	PC.
7			272252-5	LEVER 65	1	PC.
8			318175-4	SAFETY COVER	1	PC.
9			231848-1	TENSION SPRING 4	1	PC.
10			345422-0	SPACER	1	PC.
11			285848-3	BEARING RETAINER 23-36	1	PC.
12		1	211275-8	BALL BEARING 6003DDW	1	PC.
		2	210301-0	BALL BEARING 6003DDW	1	PC.
13			911223-4	PAN HEAD SCREW M5X16	2	PC.
14			318056-2	BEARING BOX	1	PC.
15			324690-8	SPINDLE	1	PC.
16			226662-8	HELICAL GEAR 43	1	PC.
17			211031-6	BALL BEARING 608LLB	1	PC.
18			213623-7	O RING 46	1	PC.
19			596291-4	FIELD ASS'Y 115V	1	PC.
		INC.	654020-2	RING TERMINAL	2	PC.
		INC.	654502-4	CONNECTOR P-2	2	PC.
20			266397-9	TAPPING SCREW BIND 5X50	2	PC.
21			419548-5	BAFFLE PLATE	1	PC.
22			211031-6	BALL BEARING 608LLB	1	PC.
23			681625-5	INSULATION WASHER	1	PC.
24			517761-0	ARMATURE ASS'Y 115V	1	PC.
		INC.		Item No. 22,23,25,29,30		
25			240003-4	FAN 80	1	PC.
26			231297-2	COMPRESSION SPRING 9	1	PC.
27			345717-1	SHAFT LOCK	1	PC.
28			286275-7	CAP	1	PC.
29			267280-3	FLAT WASHER 15	1	PC.
30			211236-8	BALL BEARING 6002DDW	1	PC.
31			261132-0	URETHANE WASHER 26	1	PC.
32			188447-9	BLADE CASE SET	1	PC.
		INC.	213459-4	O RING 32	1	PC.
		INC.	263002-9	RUBBER PIN 4	1	PC.
		INC.	816893-3	SCALE PLATE	1	PC.
		INC.		Item No. 33		
33			819234-2	MAKITA LOGO PLATE	1	PC.
34			251247-1	+ PAN HEAD SCREW M6X20	1	PC.
35			262552-1	RUBBER SLEEVE 6	1	PC.
36			419553-2	HANDLE COVER	1	PC.
37			551187-6	CORD W/PLUG, GUARD 2P-14-2.6M, SJ	1	PC.
		INC.		Item No. 38		
38			682564-2	CORD GUARD	1	PC.
39			266326-2	TAPPING SCREW 4X18	2	PC.
40			687124-5	STRAIN RELIEF	1	PC.
41			654531-7	TERMINAL BLOCK 2P	1	PC.
42			631709-9	LIGHT CIRCUIT	1	PC.
44		1	651190-8	* SWITCH DGV-1122-A-16-01	1	PC.
		2	651062-7	* SWITCH TG933TNB-2	1	PC.
45			158099-0	MOTOR HOUSING COMPLETE	1	PC.
		INC.	643653-8	BRUSH HOLDER 6.5-13.5	2	PC.
		INC.	810278-5	CAUTION LABEL	1	PC.
46			266326-2	TAPPING SCREW 4X18	5	PC.
47			331719-3	PIPE 9	1	PC.
48			941201-0	FLAT WASHER 8	1	PC.

Item No.	Type	Sub	Part No.	Part Description	Qty	Unit
49			272253-3	LEVER 56	1	PC.
50			252199-9	HEX. NUT M8-13	1	PC.
51			257953-6	BOW STOP RING E-12	1	PC.
52			188448-7	REAR COVER SET	1	PC.
		INC.		Item No. 54		
53			266326-2	TAPPING SCREW 4X18	2	PC.
54			819237-6	MAKITA LOGO LABEL	1	PC.
55			911268-2	PAN HEAD SCREW M5X45	3	PC.
57			419550-8	FRONT GRIP	1	PC.
58			643650-4	BRUSH HOLDER CAP 6.5-13.5	2	PC.
59	1		181047-4	CARBON BRUSH CB-154 2PC/SET (W/O ORIGIN)	1	SET
	2		194986-9	CARBON BRUSH CB-154 2PC/SET (W/ ORIGIN)	1	SET
60			257953-6	BOW STOP RING E-12	1	PC.
61			272253-3	LEVER 56	1	PC.
62			252199-9	HEX. NUT M8-13	1	PC.
63			941201-0	FLAT WASHER 8	1	PC.
64			345835-5	ANGULAR GUIDE	1	PC.
65	1		256480-0	SHOULDER PIN 6-7	1	PC.
	2		256511-5	SHOULDER PIN 6-7	1	PC.
66			257759-2	SLEEVE 6	1	PC.
67			941101-4	FLAT WASHER 5	1	PC.
68			922261-1	HEX. SOCKET HEAD BOLT M5X40	1	PC.
69			266396-1	FLAT HEADSQUARE NECKBOLT M8X24	1	PC.
70			331719-3	PIPE 9	1	PC.
71			345833-9	DEPTH GUIDE	1	PC.
72	1		256480-0	SHOULDER PIN 6-7	1	PC.
	2		256511-5	SHOULDER PIN 6-7	1	PC.
73			266237-1	CAP SQUARE NECK BOLT M8X90	1	PC.
74			266229-0	H.S.SET SCREW(CUP POINT)M5X8	1	PC.
75			158424-5	BASE COMPLETE	1	PC.
		INC.		SCALE PLATE	1	PC.
76			266229-0	H.S.SET SCREW(CUP POINT)M5X8	1	PC.
77			251370-2	+ PAN HEAD SCREW N5	1	PC.
78			419549-3	DIAL 27	1	PC.
79			216008-6	STEEL BALL 4	1	PC.
80			233314-4	COMPRESSION SPRING 4	1	PC.
81			266229-0	H.S.SET SCREW(CUP POINT)M5X8	1	PC.
82			251858-2	SCREW M6X15	1	PC.
83			253811-4	FLAT WASHER 5	1	PC.
85			450351-5	SPACER	2	PC.
<b><u>ACCESSORIES</u></b>			- See catalogue or visit <a href="http://www.makita.ca">www.makita.ca</a> for more optional accessories -			
A01			164095-8	GUIDE RULE	1	PC.
A02			783204-6	HEX. WRENCH 6	1	PC.
A03			D-21521	8-1/4" CT SAW BLADE 24T 5/8"	1	PC.

**SERVICE CHANGES**

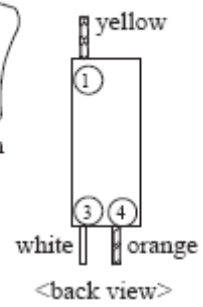
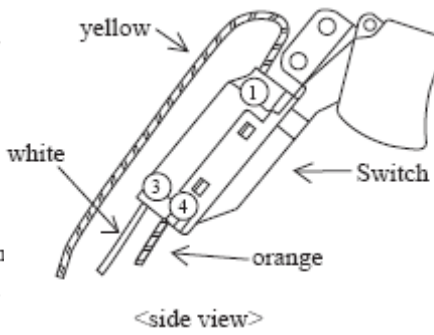
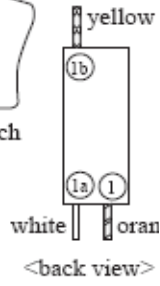
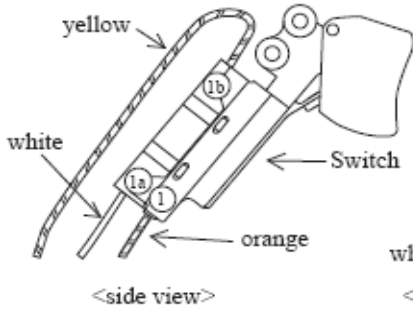
**1. Changes on Switch**

(T/I# 92740)

Item No.	Description	Type 1	Type 2
44	Switch	651190-8	651062-7

Type 1

Type 2



Terminal No. change:

- ① → ④
- ①a → ③
- ①b → ①